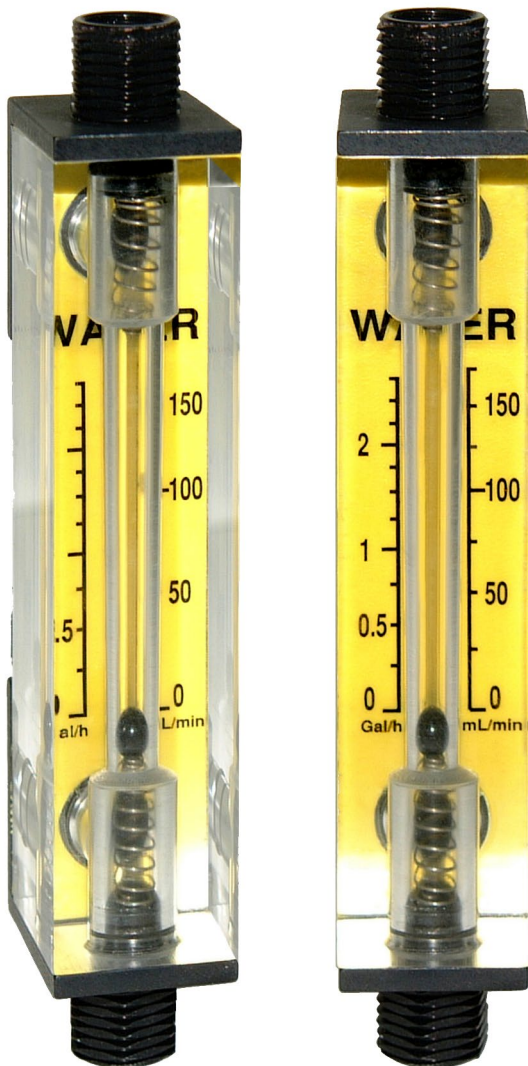


6A01 FEATURES

- ✓ Easy to read English or metric scales.
- ✓ Interchangeable scales, for routine gases.
- ✓ Customer convertible panel to partial or full in-line mounted configurations.
- ✓ Panel mounting by means of hex nuts.
- ✓ Meters are offered with or without built-in low hysteresis needle valves.
- ✓ Easy disassembly and assembly for cleaning.



Superior Quality . . .



**Panel Mounting Meter with
Built In Needle Valve**

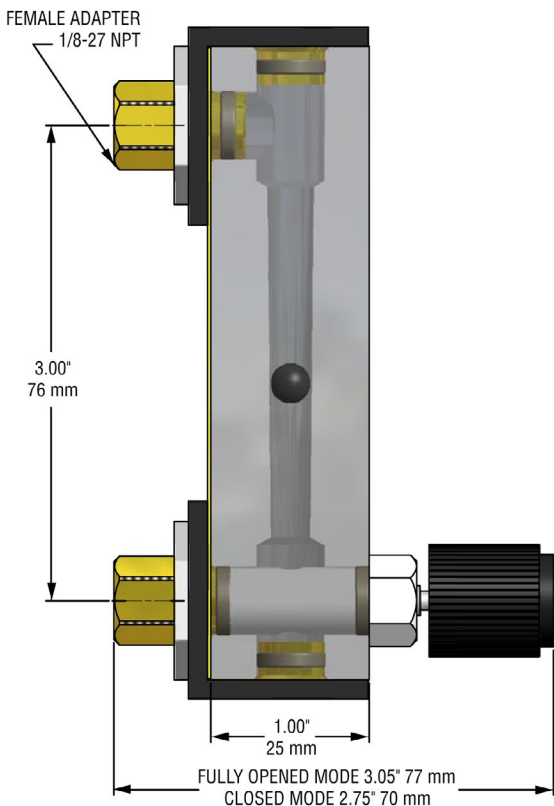
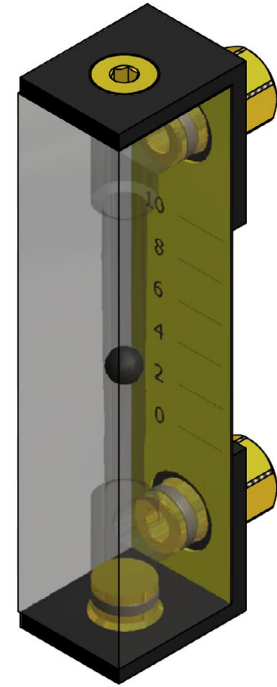
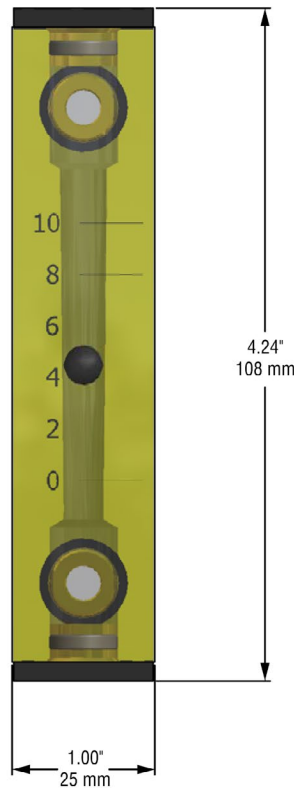
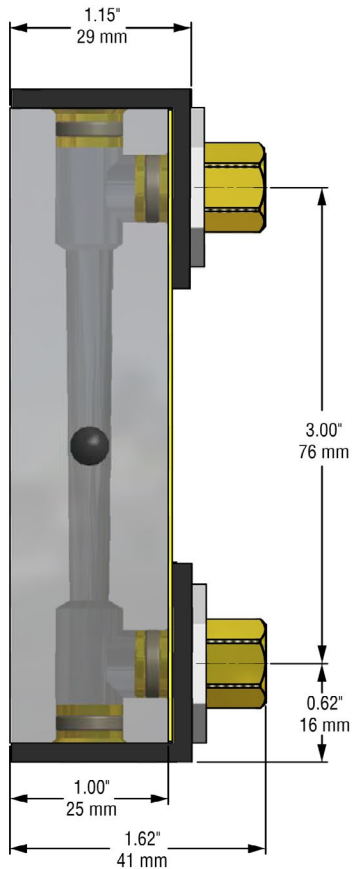
. . . Stable, Easy to Read Float

OPTIONAL PRODUCTS

FLOW METER KITS ARE AVAILABLE WITH DIRECT READING SCALES DISPLAYING:

AIR, WATER, ARGON, NITROGEN, HELIUM, CARBON DIOXIDE, AND OXYGEN IN BOTH ENGLISH AND METRIC UNITS.

ACRYLIC FLOW METERS



SPECIFICATIONS 6A01

ACCURACY:	± 5% of full scale reading.
MAXIMUM TEMPERATURE:	65 °C (150 °F).
MAXIMUM PRESSURE:	6.9 bars (100 PSIG).
METER BLOCK:	Clear machined acrylic.
FLOAT MATERIALS:	Black Glass, Stainless Steel, Tungsten Carbide.
O-RING SEALS:	FKM.
FITTINGS:	Brass or Stainless 1/8" NPT female connections, built-in needle valves and seal plugs.



The selection of materials of construction, is the responsibility of the customer. The company accepts no liability.

ACRYLIC FLOW METERS

MODEL 6A01 AIR FLOW METERS WITH DIRECT READING SCALES					
MODEL NO.	FITTING MATERIAL	VALVE OPTION	DUAL SCALE		FLOAT MATERIAL
			sL/min	SCFH	
6A0101BN-AB	BRASS	NO	1.4	2.8	GLASS
6A0101BV-AB		YES			
6A0101SN-AB	STAINLESS	NO			
6A0101SV-AB		YES			
6A0103BN-AB	BRASS	NO	2.5	5.5	STAINLESS
6A0103BV-AB		YES			
6A0103SN-AB	STAINLESS	NO			
6A0103SV-AB		YES			
6A0105BN-AB	BRASS	NO	3.5	7.0	CARBOLOY®
6A0105BV-AB		YES			
6A0105SN-AB	STAINLESS	NO			
6A0105SV-AB		YES			
6A0107BN-AB	BRASS	NO	8.5	18.0	GLASS
6A0107BV-AB		YES			
6A0107SN-AB	STAINLESS	NO			
6A0107SV-AB		YES			
6A0109BN-AB	BRASS	NO	16.0	32.5	STAINLESS
6A0109BV-AB		YES			
6A0109SN-AB	STAINLESS	NO			
6A0109SV-AB		YES			
6A0111BN-AB	BRASS	NO	22.0	45.0	CARBOLOY®
6A0111BV-AB		YES			
6A0111SN-AB	STAINLESS	NO			
6A0111SV-AB		YES			
6A0113BN-AB	BRASS	NO	50.0	100.0	STAINLESS
6A0113BV-AB		YES			
6A0113SN-AB	STAINLESS	NO			
6A0113SV-AB		YES			

MODEL 6A01 NITROGEN FLOW METERS WITH DIRECT READING SCALES					
MODEL NO.	FITTING MATERIAL	VALVE OPTION	DUAL SCALE		FLOAT MATERIAL
			sL/min	SCFH	
6A0101BN-NC	BRASS	NO	1.3	2.75	GLASS
6A0101BV-NC		YES			
6A0101SN-NC	STAINLESS	NO			
6A0101SV-NC		YES			
6A0103BN-NC	BRASS	NO	2.5	5.5	STAINLESS
6A0103BV-NC		YES			
6A0103SN-NC	STAINLESS	NO			
6A0103SV-NC		YES			
6A0105BN-NC	BRASS	NO	3.5	7.5	CARBOLOY®
6A0105BV-NC		YES			
6A0105SN-NC	STAINLESS	NO			
6A0105SV-NC		YES			
6A0107BN-NC	BRASS	NO	8.0	16.0	GLASS
6A0107BV-NC		YES			
6A0107SN-NC	STAINLESS	NO			
6A0107SV-NC		YES			
6A0109BN-NC	BRASS	NO	16.0	32.5	STAINLESS
6A0109BV-NC		YES			
6A0109SN-NC	STAINLESS	NO			
6A0109SV-NC		YES			
6A0111BN-NC	BRASS	NO	22.0	45.0	CARBOLOY®
6A0111BV-NC		YES			
6A0111SN-NC	STAINLESS	NO			
6A0111SV-NC		YES			
6A0113BN-NC	BRASS	NO	45.0	100.0	STAINLESS
6A0113BV-NC		YES			
6A0113SN-NC	STAINLESS	NO			
6A0113SV-NC		YES			

MODEL 6A01 OXYGEN FLOW METERS WITH DIRECT READING SCALES					
MODEL NO.	FITTING MATERIAL	VALVE OPTION	DUAL SCALE		FLOAT MATERIAL
			sL/min	SCFH	
6A0101BN-OB	BRASS	NO	1.1	2.5	GLASS
6A0101BV-OB		YES			
6A0101SN-OB	STAINLESS	NO			
6A0101SV-OB		YES			
6A0103BN-OB	BRASS	NO	2.5	5.0	STAINLESS
6A0103BV-OB		YES			
6A0103SN-OB	STAINLESS	NO			
6A0103SV-OB		YES			
6A0105BN-OB	BRASS	NO	3.5	7.0	CARBOLOY®
6A0105BV-OB		YES			
6A0105SN-OB	STAINLESS	NO			
6A0105SV-OB		YES			
6A0107BN-OB	BRASS	NO	8.0	16.0	GLASS
6A0107BV-OB		YES			
6A0107SN-OB	STAINLESS	NO			
6A0107SV-OB		YES			
6A0109BN-OB	BRASS	NO	15.0	30.0	STAINLESS
6A0109BV-OB		YES			
6A0109SN-OB	STAINLESS	NO			
6A0109SV-OB		YES			
6A0111BN-OB	BRASS	NO	20.0	42.5	CARBOLOY®
6A0111BV-OB		YES			
6A0111SN-OB	STAINLESS	NO			
6A0111SV-OB		YES			
6A0113BN-OB	BRASS	NO	45.0	90.0	STAINLESS
6A0113BV-OB		YES			
6A0113SN-OB	STAINLESS	NO			
6A0113SV-OB		YES			

MODEL 6A01 CARBON DIOXIDE FLOW METERS WITH DIRECT READING SCALES					
MODEL NO.	FITTING MATERIAL	VALVE OPTION	DUAL SCALE		FLOAT MATERIAL
			sL/min	SCFH	
6A0101BN-CA	BRASS	NO	1.1	2.5	GLASS
6A0101BV-CA		YES			
6A0101SN-CA	STAINLESS	NO			
6A0101SV-CA		YES			
6A0103BN-CA	BRASS	NO	2.0	5.0	STAINLESS
6A0103BV-CA		YES			
6A0103SN-CA	STAINLESS	NO			
6A0103SV-CA		YES			
6A0105BN-CA	BRASS	NO	3.0	6.5	CARBOLOY®
6A0105BV-CA		YES			
6A0105SN-CA	STAINLESS	NO			
6A0105SV-CA		YES			
6A0107BN-CA	BRASS	NO	7.0	15.0	GLASS
6A0107BV-CA		YES			
6A0107SN-CA	STAINLESS	NO			
6A0107SV-CA		YES			
6A0109BN-CA	BRASS	NO	12.0	25.0	STAINLESS
6A0109BV-CA		YES			
6A0109SN-CA	STAINLESS	NO			
6A0109SV-CA		YES			
6A0111BN-CA	BRASS	NO	18.0	37.5	CARBOLOY®
6A0111BV-CA		YES			
6A0111SN-CA	STAINLESS	NO			
6A0111SV-CA		YES			
6A0113BN-CA	BRASS	NO	35.0	80.0	STAINLESS
6A0113BV-CA		YES			
6A0113SN-CA	STAINLESS	NO			
6A0113SV-CA		YES			

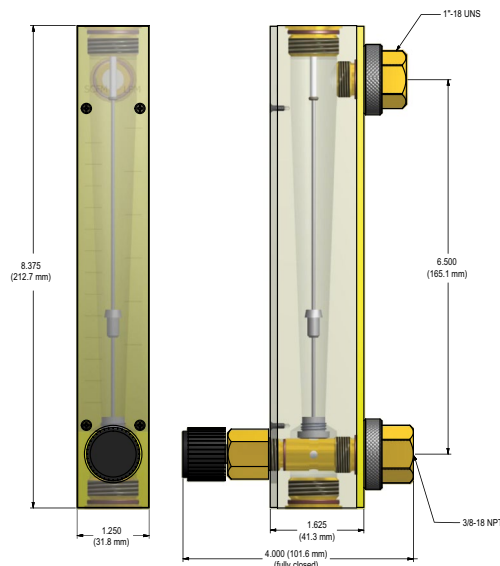
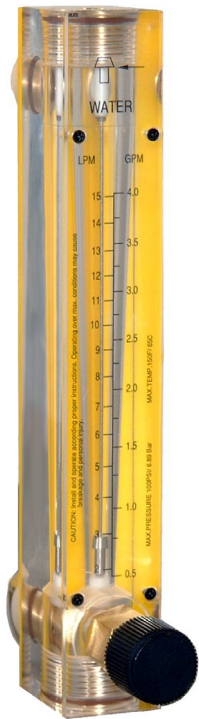
ACRYLIC FLOW METERS

MODEL 6A01 ARGON FLOW METERS WITH DIRECT READING SCALES					
MODEL NO.	FITTING MATERIAL	VALVE OPTION	DUAL SCALE		FLOAT MATERIAL
			sL/min	SCFH	
6A0101BN-AE	BRASS	NO	1.0	2.0	GLASS
6A0101BV-AE		YES			
6A0101SN-AE	STAINLESS	NO			
6A0101SV-AE		YES			
6A0103BN-AE	BRASS	NO	2.0	5.0	STAINLESS
6A0103BV-AE		YES			
6A0103SN-AE	STAINLESS	NO			
6A0103SV-AE		YES			
6A0105BN-AE	BRASS	NO	3.0	6.5	CARBOLOY®
6A0105BV-AE		YES			
6A0105SN-AE	STAINLESS	NO			
6A0105SV-AE		YES			
6A0107BN-AE	BRASS	NO	7.0	15.0	GLASS
6A0107BV-AE		YES			
6A0107SN-AE	STAINLESS	NO			
6A0107SV-AE		YES			
6A0109BN-AE	BRASS	NO	13.0	26.0	STAINLESS
6A0109BV-AE		YES			
6A0109SN-AE	STAINLESS	NO			
6A0109SV-AE		YES			
6A0111BN-AE	BRASS	NO	18.0	37.5	CARBOLOY®
6A0111BV-AE		YES			
6A0111SN-AE	STAINLESS	NO			
6A0111SV-AE		YES			
6A0113BN-AE	BRASS	NO	40.0	80.0	STAINLESS
6A0113BV-AE		YES			
6A0113SN-AE	STAINLESS	NO			
6A0113SV-AE		YES			

MODEL 6A01 WATER FLOW METERS WITH DIRECT READING SCALES					
MODEL NO.	FITTING MATERIAL	VALVE OPTION	DUAL SCALE		FLOAT MATERIAL
			sL/min	SCFH	
6A0101BN-WA	BRASS	NO	20.0	0.3	GLASS
6A0101BV-WA		YES			
6A0101SN-WA	STAINLESS	NO			
6A0101SV-WA		YES			
6A0103BN-WA	BRASS	NO	70.0	1.1	STAINLESS
6A0103BV-WA		YES			
6A0103SN-WA	STAINLESS	NO			
6A0103SV-WA		YES			
6A0105BN-WA	BRASS	NO	100.0	1.5	CARBOLOY®
6A0105BV-WA		YES			
6A0105SN-WA	STAINLESS	NO			
6A0105SV-WA		YES			
6A0107BN-WA	BRASS	NO	175.0	2.75	GLASS
6A0107BV-WA		YES			
6A0107SN-WA	STAINLESS	NO			
6A0107SV-WA		YES			
6A0109BN-WA	BRASS	NO	450.0	6.5	STAINLESS
6A0109BV-WA		YES			
6A0109SN-WA	STAINLESS	NO			
6A0109SV-WA		YES			
6A0111BN-WA	BRASS	NO	700.0	11.0	CARBOLOY®
6A0111BV-WA		YES			
6A0111SN-WA	STAINLESS	NO			
6A0111SV-WA		YES			
6A0113BN-WA	BRASS	NO	1400	22.0	STAINLESS
6A0113BV-WA		YES			
6A0113SN-WA	STAINLESS	NO			
6A0113SV-WA		YES			

MODEL 6A01 HELIUM FLOW METERS WITH DIRECT READING SCALES					
MODEL NO.	FITTING MATERIAL	VALVE OPTION	DUAL SCALE		FLOAT MATERIAL
			sL/min	SCFH	
6A0101BN-HA	BRASS	NO	2.0	4.0	GLASS
6A0101BV-HA		YES			
6A0101SN-HA	STAINLESS	NO			
6A0101SV-HA		YES			
6A0103BN-HA	BRASS	NO	5.0	10.0	STAINLESS
6A0103BV-HA		YES			
6A0103SN-HA	STAINLESS	NO			
6A0103SV-HA		YES			
6A0105BN-HA	BRASS	NO	8.0	17.0	CARBOLOY®
6A0105BV-HA		YES			
6A0105SN-HA	STAINLESS	NO			
6A0105SV-HA		YES			
6A0107BN-HA	BRASS	NO	18.0	40.0	GLASS
6A0107BV-HA		YES			
6A0107SN-HA	STAINLESS	NO			
6A0107SV-HA		YES			
6A0109BN-HA	BRASS	NO	35.0	70.0	STAINLESS
6A0109BV-HA		YES			
6A0109SN-HA	STAINLESS	NO			
6A0109SV-HA		YES			
6A0111BN-HA	BRASS	NO	55.0	110.0	CARBOLOY®
6A0111BV-HA		YES			
6A0111SN-HA	STAINLESS	NO			
6A0111SV-HA		YES			
6A0113BN-HA	BRASS	NO	110.0	250	STAINLESS
6A0113BV-HA		YES			
6A0113SN-HA	STAINLESS	NO			
6A0113SV-HA		YES			

6A02 Valve Option



6A02 Series Acrylic Flow Meters

These unique meters are being offered with any one of interchangeable direct reading scales for Air, Nitrogen, Oxygen, Carbon Dioxide, Argon, Helium and Water. Scales are mounted at the front of the flow body and are positioned and secured by a clear front plate held in place by four screws.

Dual scales display flow rates in both metric and English units. Optional scales can be developed for diverse flow conditions, facilitating OEM applications. The yellow colored backing enhances readability of scales and helps to minimize eye fatigue.

6A02 Series Flow Meters are configured for "panel mount" 3/8" female NPT connections. Models available with optional low hysteresis, multi-turn needle valve is included.

6A02 SPECIFICATIONS

ACCURACY:	±5% of full scale reading.
CONNECTIONS:	3/8" Female NPT.
MAXIMUM TEMPERATURE:	150 °F/ 65 °C Maximum.
MAXIMUM PRESSURE:	100 psi/6.89 Bar Maximum.
FLOAT AND GUIDE:	316 stainless steel.
INLET/OUTLET CONNECTIONS:	Brass.
PANEL MOUNTING:	Polypropylene® Nuts.
O-RINGS:	FKM.
VALVE PARTS:	Brass.

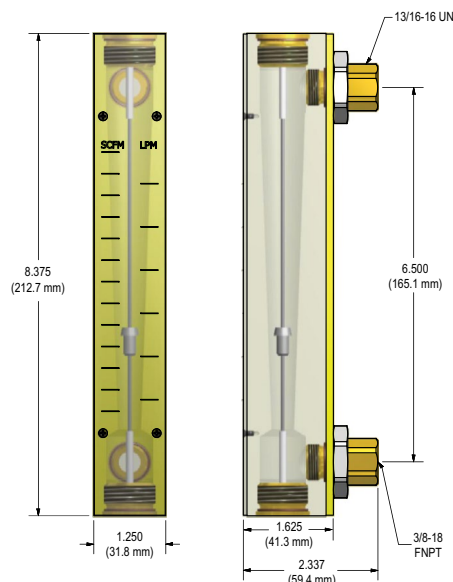


The selection of materials of construction, is the responsibility of the customer. The company accepts no liability.

TABLE 10 FLOW CAPACITIES

MODEL NO.	FLOW MEDIA	MAXIMUM FLOW		VALVE OPTION
6A0209BN-AB	AIR	270 L/min	9.5 SCFM	NO
6A0209BV-AB				YES
6A0211BN-AB		550 L/min	20 SCFM	NO
6A0211BV-AB				YES
6A0209BN-NC	NITROGEN	270 L/min	9.5 SCFM	NO
6A0209BV-NC				YES
6A0211BN-NC		575 L/min	21 SCFM	NO
6A0211BV-NC				YES
6A0209BN-OB	OXYGEN	250 L/min	9 SCFM	NO
6A0209BV-OB				YES
6A0211BN-OB		550 L/min	20 SCFM	NO
6A0211BV-OB				YES
6A0209BN-CA	CARBON DIOXIDE	210 L/min	7.5 SCFM	NO
6A0209BV-CA				YES
6A0211BN-CA		475 L/min	17 SCFM	NO
6A0211BV-CA				YES
6A0209BN-AE	ARGON	220 L/min	8 SCFM	NO
6A0209BV-AE				YES
6A0211BN-AE		525 L/min	19 SCFM	NO
6A0211BV-AE				YES
6A0209BN-HA	HELIUM	700 L/min	25 SCFM	NO
6A0209BV-HA				YES
6A0211BN-HA		1500 L/min	55 SCFM	NO
6A0211BV-HA				YES
6A0209BN-WA	WATER	8.5 L/min	2.25 GPM	NO
6A0209BV-WA				YES
6A0211BN-WA		15 L/min	4 GPM	NO
6A0211BV-WA				YES

6A02 No-Valve Option



ACRYLIC FLOW METERS


6A04 Acrylic Meter with Interchangeable Scales

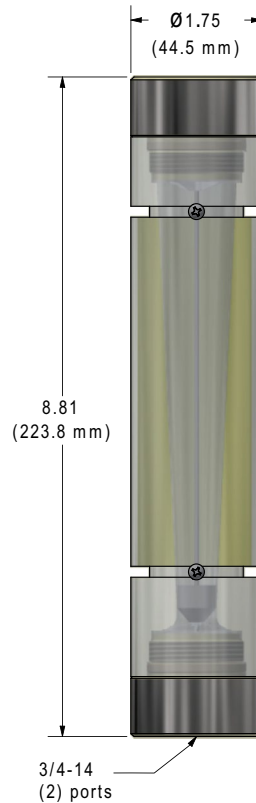
These unique meters are being offered with any one of interchangeable direct reading scales for Water, Air, Water, Argon, and Nitrogen. Dual scales display flow rates in both metric and English units. Optional scales can be developed for diverse flow conditions, facilitating OEM applications.

The yellow colored backing enhances readability of scales and helps to minimize eye fatigue. 6A04 Models are configured for "in-line" 3/4" female NPT connections. Optional low hysteresis, multi-turn needle valve is included.

6A04 SPECIFICATIONS

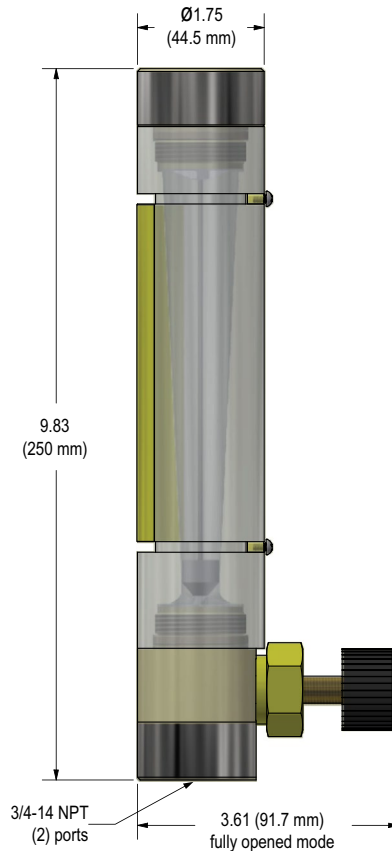
ACCURACY:	±5% FS.
CONNECTIONS:	3/4" Female NPT Polypropylene
MAXIMUM TEMPERATURE:	130 °F/ 54 °C Maximum.
MAXIMUM PRESSURE:	100 PSI/6.89 Bar Maximum.
FLOAT AND GUIDE:	316 stainless steel.
O-RINGS:	FKM.
BODY:	Optical clear cast acrylic.
VALVE PARTS:	Brass.

 The selection of materials of construction, is the responsibility of the customer. The company accepts no liability.



6A04 No-Valve Model

MODEL NO.	MAXIMUM FLOW		FLOW MEDIUM	VALVE OPTION
6A0407PN-AB	1400 LPM	45 SCFM	AIR	NO
6A0407PV-AB				YES
6A0409PN-AB	2000 LPM	70 SCFM		NO
6A0409PV-AB				YES
6A0411PN-AB	3000 LPM	100 SCFM		NO
6A0411PV-AB				YES
6A0407PN-WA	40 LPM	10 GPM	WATER	NO
6A0407PV-WA				YES
6A0409PN-WA	50 LPM	13 GPM		NO
6A0409PV-WA				YES
6A0411PN-WA	60 LPM	15 GPM		NO
6A0411PV-WA				YES
6A0407PN-NC	1400 LPM	45 SCFM	NITROGEN	NO
6A0407PV-NC				YES
6A0409PN-NC	2000 LPM	70 SCFM		NO
6A0409PV-NC				YES
6A0411PN-NC	3000 LPM	100 SCFM		NO
6A0411PV-NC				YES
6A0407PN-AE	1200 LPM	40 SCFM	ARGON	NO
6A0407PV-AE				YES
6A0409PN-AE	1900 LPM	40 SCFM		NO
6A0409PV-AE				YES
6A0411PN-AE	2500 LPM	90 SCFM		NO
6A0411PV-AE				YES



6A04 with Valve



An exceptional meter . . .



. . . for an exceptional price!

Dimensional Chart		
Letter	6B41	6B42
A	8-3/16"	11"
B	1-1/4"	1-3/4"



6B41 and 6B42 FEATURES

- ✓ Tough Machined Acrylic Meter Body, Highly Polished Clear Finish.
- ✓ Easy to Read Direct Reading Dual Scale (GPM/LPM).
- ✓ White Back Reflector for Easy Reading.
- ✓ F/NPT Adapters with High Grade FKM O-Ring Seals and Aluminum "Stress Ring" Thread Supports.
- ✓ Standard Models #316 Stainless Steel or PVC Float.
- ✓ Standard Models #316 Stainless Steel Float Guide Rods.
- ✓ Acceptable in Direct Sunlight Applications.
- ✓ Easy To Assemble and Install.

SPECIFICATIONS FOR 6B41 and 6B42

FULL SCALE ACCURACY:	±5%.
MAXIMUM WORKING PRESSURE:	150 PSIG (10.3 BAR) @ 70 °F (21 °C).
MAXIMUM FLUID TEMPERATURE:	POLYPROPYLENE ADAPTORS: 150 °F (65 °C) @ 0 PSI.
MAXIMUM PRESSURE DROP:	2 PSI.
METER BODY MATERIAL:	Machined Acrylic.
ADAPTER MATERIAL:	Polypropylene.
O-RING SEALS:	FKM (optional EP).
GUIDE ROD:	316 SS.
FLOAT:	316 SS, PTFE OR PVDF (Varies by Model).
CALIBRATION FLUID:	Water, Specific Gravity 1.0.
APPROXIMATE SHIPPING WEIGHT:	6B41: 0.5 LBS. (0.23 KG). 6B42: 2 LBS. (0.91 KG).



The selection of materials of construction, is the responsibility of the customer. The company accepts no liability.

TABLE 12 MODEL 6B41 IN-LINE ACRYLIC FLOW METERS WITH 316 SS GUIDE RODS

MODEL NO.	ADAPTER SIZE	FLOW RANGE	FLOAT	HEIGHT
STANDARD MODELS FOR LIQUID (GPM/LPM OF WATER)				
6B4100-01B	1/4" FNPT	0.025-0.250 GPM, 0.1-1.0 LPM	PVDF	8 3/16"
6B4100-01C	3/8" FNPT		316 SS	
6B4100-02B	1/4" FNPT	0.050-0.500 GPM, 0.2-2.0 LPM		
6B4100-02C	3/8" FNPT			
6B4100-03C	3/8" FNPT	0.1-1.0 GPM, 0.4-4.0 LPM	316 SS	
6B4100-03D	1/2" FNPT			
6B4100-04C	3/8" FNPT	0.2-2.0 GPM, 1.0-7.5 LPM	316 SS	
6B4100-04D	1/2" FNPT			
6B4100-05C	3/8" FNPT	0.3-3.0 GPM, 1.5-11 LPM	316 SS	
6B4100-05D	1/2" FNPT			
6B4100-06C	3/8" FNPT	0.5-5.0 GPM, 2.0-20 LPM	316 SS	
6B4100-06D	1/2" FNPT			

TABLE 12-1, MODEL 6B42 IN-LINE ACRYLIC FLOW METERS WITH 316 SS GUIDE RODS

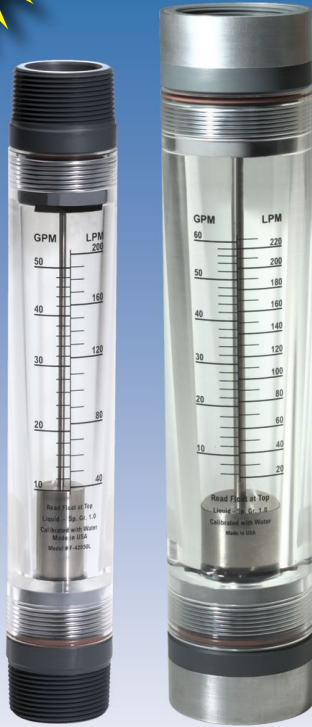
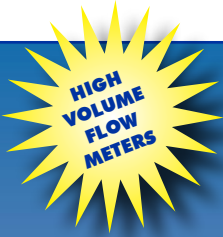
MODEL NO.	ADAPTER SIZE	FLOW RANGE	FLOAT	HEIGHT
STANDARD MODELS FOR LIQUID (GPM/LPM OF WATER)				
6B4200-01E	3/4" FNPT	1.0-10 GPM, 4.0-38 LPM	316 SS	11"
6B4200-01F	1" FNPT			
6B4200-03E	3/4" FNPT	2.0-20 GPM, 8.0-80 LPM		
6B4200-03F	1" FNPT			

*Note: These units have an aluminum sensor bezel clamp with an enclosed reed switch 1 watt (normally open). The clamp can be easily moved up or down the scale on the meter body. 25' 2 wire cable is included.

Applications

- Hydroponic systems.
- Deionized and ultra-pure water systems.
- Photo and X-ray processing equipment.
- Pollution monitoring and control equipment.
- Chemical process indication.
- Water and wastewater treatment systems.

ACRYLIC FLOW METERS



Series 6B51 and 6B61 Flow Meters

6B51 AND 6B61 FEATURES

- ✓ Tough Machined Acrylic Meter Body, Highly Polished Clear Finish.
- ✓ Easy to Read Direct Reading Dual Scale (GPM/LPM).
- ✓ White Back Reflector for Easy Reading.
- ✓ **6B51:** 1" F/NPT or 1-1/2" MNPT Adapters.
- ✓ **6B61:** 1-1/2" or 2" FNPT Adapters.
- ✓ High Grade FKM O-Rings Seals.
- ✓ Standard Models #316 Stainless Steel or PVC Float.
- ✓ Standard Models #316 Stainless Steel Float Guide Rods.
- ✓ Acceptable in Direct Sunlight Applications.

TABLE 13, MODEL 6B61 HIGH CAPACITY ACRYLIC FLOW METERS

MODEL NO.	ADAPTER SIZE	FLOW RANGE	FLOAT	HEIGHT
STANDARD MODELS FOR LIQUID (GPM/LPM of WATER)				
6B6100-01H	1 1/2" FNPT	4.0-40 GPM, 15-150 LPM	316 SS	14"
6B6100-01I	2" FNPT			
6B6100-02H	1 1/2" FNPT	6.0-60 GPM, 20-230 LPM		
6B6100-02I	2" FNPT			
6B6100-03H	1 1/2" FNPT	8.0-80 GPM, 30-300 LPM		
6B6100-03I	2" FNPT			
6B6100-04H	1 1/2" FNPT	20-100 GPM, 75-375 LPM		
6B6100-04I	2" FNPT			

TABLE 13-1, MODEL 6B51 HIGH VOLUME IN-LINE ACRYLIC FLOW METERS

MODEL NO.	ADAPTER SIZE	FLOW RANGE	FLOAT	HEIGHT
STANDARD MODELS FOR LIQUID (GPM/LPM of WATER)				
6B5100-01F	1" FNPT	5.0-25 GPM, 20-100 LPM	316 SS	12"
6B5100-01H	1 1/2" MNPT			
6B5100-02F	1" FNPT	8.0-40 GPM, 30-150 LPM		
6B5100-02H	1 1/2" MNPT			
6B5100-03F	1" FNPT	10-50 GPM, 40-200 LPM		
6B5100-03H	1 1/2" MNPT			

Series 6B51



Series 6B61



Dimensional Chart 6B51 and 6B61

Letter	6B51	6B61
A	12"	14"
B	2"	3"

SPECIFICATIONS FOR 6B51 AND 6B61

FULL SCALE ACCURACY:	±5%.
MAXIMUM WORKING PRESSURE:	130 psig (8.9 bar) @ 70 °F (21 °C).
MAXIMUM FLUID TEMPERATURE:	130 °F (54 °C) @ 0 PSI.
MAXIMUM PRESSURE DROP:	2 PSI.
METER BODY MATERIAL:	Cast Acrylic Rod.
ADAPTER MATERIAL:	PVC.
O-RING SEALS:	FKM.
GUIDE ROD HOLDER:	Polysulfone.
GUIDE ROD:	316 SS.
CALIBRATION FLUID:	Water, Specific Gravity 1.0.
APPROXIMATE SHIPPING WEIGHT:	6B51 2 lbs. (.91 KG). 6B61 6 lbs. (2.7 KG).



The selection of materials of construction, is the responsibility of the customer. The company accepts no liability.

Series 6B71 Flow Meter



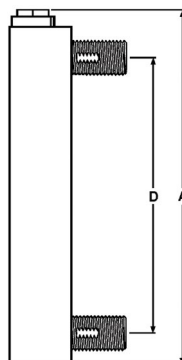
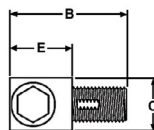
6B71 FEATURES

- ✓ Durable, Highly Polished, One Piece Meter Body.
- ✓ Easy to Read Direct Reading Permanent Scale (GPM/LPM).
- ✓ #316 Stainless Steel Floats and Float Guides.
- ✓ Sturdy Adapters with High Grade FKM O-Ring Seals.
- ✓ Bulkhead Nuts Attach Directly Inside Panel.
- ✓ Separate Mounting Screws are Not Required.
- ✓ Optional Adjustable Flow Control Valve.
- ✓ Easy to Disassemble.
- ✓ Acceptable in Direct Sunlight Applications.

TABLE 14, MODEL 6B71 PANEL MOUNT ACRYLIC FLOW METERS				
MODEL NO.	ADAPTER SIZE	FLOW RANGE	FLOAT	HEIGHT CENTER - CENTER
STANDARD MODELS FOR LIQUID (GPM / LPM OF WATER)				
6B7100-01B	1/4" MNPT	0.025-0.250 GPM, 0.1-1.0 LPM	316 SS	5 5/8"
6B7100-02C	3/8" MNPT	0.1-1.0 GPM, 0.4-4.0 LPM		6 1/2"
6B7100-03C		0.2-2.0 GPM, 0.75-7.5 LPM		
6B7100-04D	1/2" MNPT	0.5-5.0 GPM, 2.0-20 LPM		
6B7100-05E	3/4" MNPT	1.0-10 GPM, 4.0-40 LPM	PTFE	8"
6B7100-06F	1" MNPT	1.0-5.0 GPM, 3.0-18 LPM		
6B7100-07F		1.0-10 GPM, 4.0-40 LPM		
6B7100-08F		1.0-15 GPM, 5.0-60 LPM		
6B7100-09F		2.0-20 GPM, 7.5-75 LPM	316 SS	

TABLE 14-1, MODEL 6B71 PANEL MOUNT ACRYLIC FLOW METERS WITH ADJUSTABLE VALVE				
MODEL NO.	ADAPTER SIZE	FLOW RANGE	FLOAT	HEIGHT CENTER - CENTER
STANDARD MODELS FOR LIQUID (GPM / LPM OF WATER)				
6B7101-01B	1/4" MNPT	0.025-0.250 GPM, 0.1-1.0 LPM	316 SS	5 5/8"
6B7101-02C	3/8" MNPT	0.1-1.0 GPM, 0.4-4.0 LPM		6 1/2"
6B7101-03C		0.2-2.0 GPM, 0.75-7.5 LPM		
6B7101-04D	1/2" MNPT	0.5-5.0 GPM, 2.0-20 LPM		
6B7101-05E	3/4" MNPT	1.0-10 GPM, 4.0-40 LPM	316 SS	8"
6B7101-06F	1" MNPT	1.0-5.0 GPM, 3.0-18 LPM		
6B7101-07F		1.0-10 GPM, 4.0-40 LPM		
6B7101-08F		1.0-15 GPM, 5.0-60 LPM		
6B7101-09F		2.0-20 GPM, 7.5-75 LPM		

DIMENSIONAL CHART 6B71						
MODEL	A	B	C	D	E	MOUNT
MODELS WITH NO ADJUSTABLE VALVE						
6B7100-01	7-1/4"	2-1/2"	1-1/16"	5-5/8"	1-1/4"	9/16"
6B7100-02 6B7100-03	8-3/8"	2-3/4"	1-11/32"	6-1/2"	1-1/2"	11/16"
6B7100-04	8-3/8"	2-3/4"	1-11/32"	6-1/2"	1-1/2"	7/8"
6B7100-05	9"	3-3/4"	1-1/2"	6-1/2"	1-3/4"	1-1/16"
6B7100-06 to 6B7100-09	10-5/8"	4"	1-3/4"	8"	2"	1-21/64"
MODELS WITH ADJUSTABLE VALVE						
6B7101-01	7-1/4"	3-7/16"	1"	5-5/8"	2-7/16"	1-11/32"
6B7101-02 6B7101-04	8-3/8"	4-1/2"	1-11/32"	6-1/2"	3-1/4"	1-3/4"
6B7101-05	9"	5-1/2"	1-1/2"	6-1/2"	3-1/4"	1-5/16"
6B7101-07 to 6B7101-09	10-5/8"	5-1/4"	1-3/4"	8"	3-1/2"	1-7/16"



SPECIFICATIONS FOR 6B71

FULL SCALE ACCURACY: ±5%.
MAXIMUM WORKING PRESSURE: 250 PSIG (17.2 Bar) @ 70 °F (21 °C).
MAXIMUM FLUID TEMPERATURE: 200 °F (93 F C) @ 0 Pressure.
METER BODY MATERIAL: Machined Acrylic.
ADAPTERS MATERIAL: Polypropylene.
O-RING SEALS: FKM.
GUIDE ROD: 316 SS.
CALIBRATION FLUID: Water, Specific Gravity 1.0.
APPROXIMATE SHIPPING WEIGHT: 2 lbs. (.91 kg).



The selection of materials of construction, is the responsibility of the customer. The company accepts no liability.