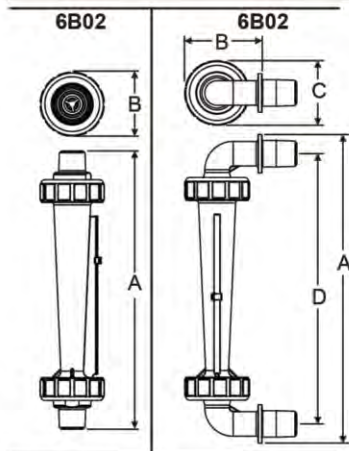
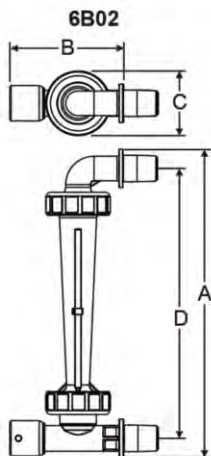


Installation Instructions

6B02



MODEL NO.	DIM A	DIM B	DIM C	DIM D
6B0200-01C/D 6B0200-02C/D 6B0200-03C/D/E	8-7/8" 226mm	1-3/4" 44mm	N/A	N/A
6B0200-04E	10" 254mm	2" 51mm	N/A	N/A
6B0201-01C/D 6B0201-02C/D 6B0201-03C/D	9-7/8" 251mm	3-1/2" 89mm	2" 51mm	8-9/16" 218mm
6B0201-04E	10" 254mm	3-5/8" 86mm	2" 51mm	9" 229mm
6B0202-01C/D 6B0202-02C/D 6B0202-03C/D/E 6B0202-05C/D	9-7/8" 251mm	5" 127mm	2" 51mm	8-9/16" 218mm
6B0202-04E 6B0202-06E	10" 254mm	5" 127mm	2" 51mm	8-1/8" 232mm
6B0203-01C/D 6B0203-02C/D 6B0203-03C/D	8-7/8" 226mm	1-3/4" 44mm	N/A	N/A
6B0203-04E	10" 254mm	2" 51mm	N/A	N/A



Meter Body:

Float: 316SS, Hastelloy C-276, PVDF, or PTFE (based on model)

Guide rod: # 316 Stainless (opt. Hastelloy C-276)

Adapters: Polysulfone

O-Rings: Viton (optional EP)

Scale: Permanent, dual scale silkscreen (black ink)

Max. PSIG: 175 PSIG / 12 BAR at 70°F/21°C

Max. Temp: 212°F / 100°C at 0 pressure

Accuracy: ± 4% of full scale reading

Your Dakota® 6B02 Series

- Your Dakota® flow meter was designed to be easy to install.
- Please read the Instruction Guideline on the next page before installing your flow meter.
- This flow meter is an instrument, special care should be taken when handling and installing.

Inspection of the Flow Meter and Compatibility

- Carefully inspect the meter for any damage that may have occurred during shipping.
- Remove the plastic tubing that has been inserted during packaging for shipping reasons.
- Make sure your pressure, temperature, fluid and other requirements are compatible with the meter before installation.
- The maximum temperature capability decreases as the pressure increases. The max PSI decreases as the temperature increases. See the chart on the following page.
- Although the meter may be suitable for other chemicals, Dakota® meters are tested with water. If you are unsure of the meters compatibility with your chemical, please consult the factory.
- Dakota® warrants the flow meter for use with water only.



Toll Free USA and Canada: 1 (800) 879-7713 • Tel. 1-(845) 770-3200 • Fax. 1-(845) 770-3210
 Website: <http://dakotainstruments.com> • E-mail: info@dakotainstruments.com

Installation Guideline

Caution: Follow these instructions to avoid failure.

Danger: Wear eye protection when installing or removing flow meter.

1. Misalignment will damage the meter!

Flow meter must be installed in an exact vertical plane to ensure accuracy. Be certain of proper plumbing alignments. Misalignment may cause the o-ring seals to leak. The meterbody material can be damaged by UV rays. Do not install in direct sunlight.

2. Pipe dope and glue will damage the meter!

Use only PTFE tape on the threaded adapters. Polysulfone meter body and fittings cannot tolerate PVC Glue and/or pipe dope. Even fumes can cause severe damage. If you are installing your flow meter to a glued pipe configuration, install the flow meter after all glued fittings are dried and lines are purged of all fumes. Never hold the meter body with pliers or like tools. Union nuts should be hand tightened only. **DO NOT OVER-TIGHTEN!**

3. Vibration and heavy loads will damage the meter!

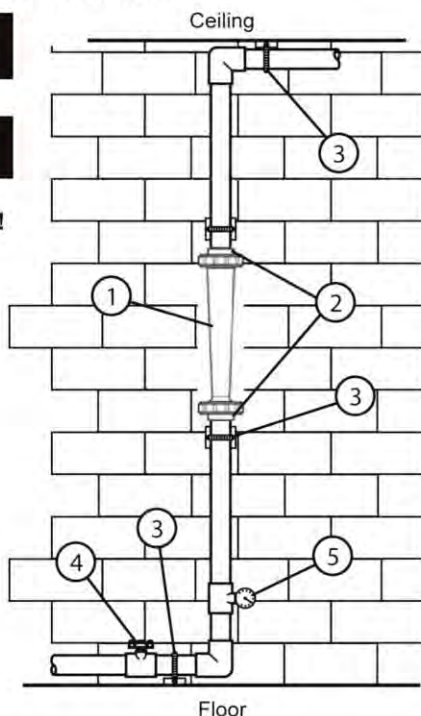
Wall, floor and ceiling mounts and supports must be carefully aligned with the meter body and sturdy enough to support the plumbing and prevent vibration. Never allow the flow meter to support the weight of related piping.

4. Solenoid valves will damage the meter!

Avoid a system that will impose a sudden burst of flow to the meter. Such a burst will cause the float to impact the float stop with destructive force. Solenoid valves, or other quick opening valves cannot be used unless meter is protected against sudden bursts of flow

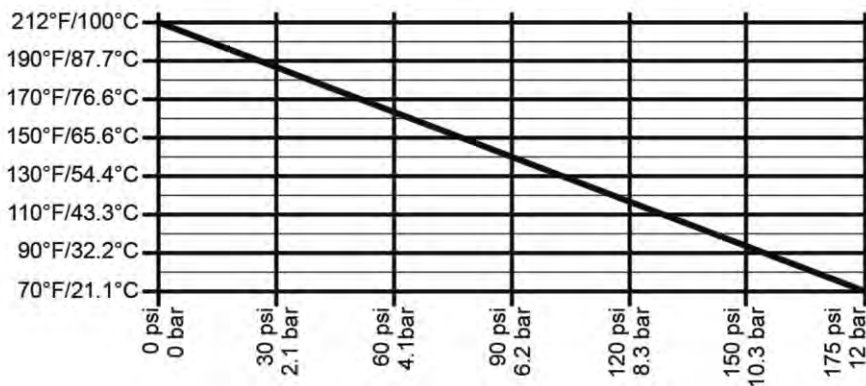
5. High pressures and temperatures will damage the meter!

The maximum acceptable temperature and pressure is interdependent. The maximum acceptable working pressure is dependant on the actual fluid temperature. The maximum acceptable fluid temperature is dependant on the actual working pressure. (see Temperature Vs. Pressure chart).



Temperature vs. Pressure

Temperature



Pressure and Temperature

Pressure and temperature limits are inversely proportional. At the maximum suggested pressure the temperature should approach 70°F / 21.1°C; at the maximum suggested temperature the pressure should approach zero psi. We cannot guarantee our flow meters will not be damaged either at or below the suggested limits simply because of many factors which influence meter integrity; stress resulting from meter misalignment, damage due to excessive vibration and/or deterioration caused by contact with certain chemicals as well as direct sunlight. These situations and others tend to reduce the strength of the materials from which the meters are manufactured.

Application Note

Flow meters are tested and calibrated for water only.

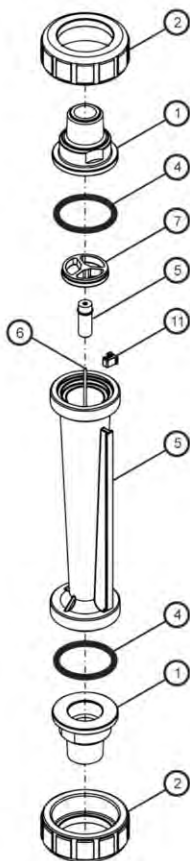
Although meters may be suitable for other chemicals, Dakota® cannot guarantee their suitability. It is the responsibility of the user to determine the suitability of the flow meter in their application.

Maintenance

The "Exploded View" drawing illustrates assembly of the 6B02 series meter. If your flow meter needs to be cleaned refer to this drawing when reassembling the unit. The tapered tube may be cleaned with a soft bottle brush. Use a MILD soap and water solution for cleaning purposes. Hard water deposits can be removed with a 5% acetic acid solution (vinegar). Note the floats "up" position.

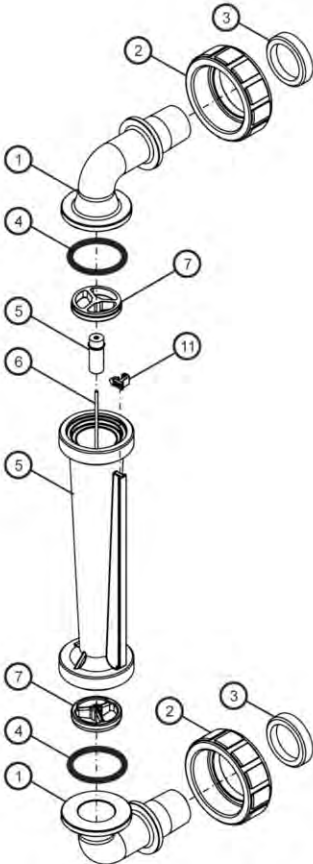
6B02 - In-Line

No.	Part No.	Desc.
1	D-45N011	3/8" Male NPT in-line adapter, Polysulfone
	D-44N011	1/2" Male NPT in-line, Polysulfone
	D-45N048	1/2" Male NPT in-line, Brass
	D-44N008	1/2" SWEAT in-line, Brass
	D-44N09	3/4" Male NPT in-line, Polysulfone
	D-44N25	3/4" Male NPT in-line, Brass
2	D-44N23	3/4" SWEAT in-line, Brass
	D-44N06	3/4" Half Union, Nylon
2	D-44N06AL	3/4" Half Union, Aluminum
	90003-152	3/8" and 1/2" O-ring seal, Viton
4	90003-153	3/8" and 1/2" O-ring seal, EP
	90003-082	3/4" O-ring seal, Viton
	90003-039	3/4" O-ring seal, EP
5	N/A	Meterbody and Float not sold separately
6	D-45N005	F-45375, F-45376, F-45500 Guide Rod 316 ss
	D-45N021	F-45750 Guide Rod, 316 ss
	D-45N005H	F-45375, F-45376, F-45500 Guide Rod Hastelloy C-276
	D-45N021H	F-45750, Guide Rod Hastelloy C-276
7	D-45N007	3/8" and 1/2" Guide Rod holder, Polysulfone
	D-45N019	3/4" Guide Rod holder, Polysulfone
11	D-45N043	Indicator, Red



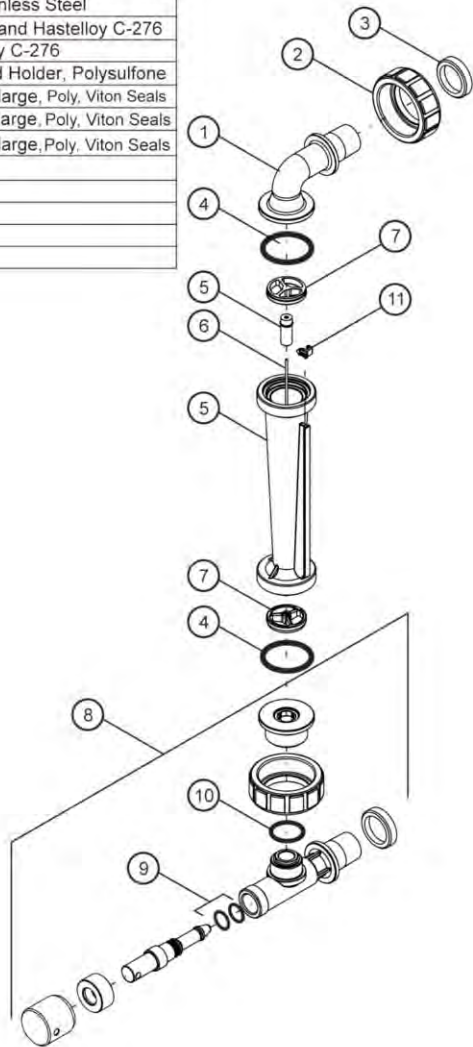
6B02 - Elbow (Panel Mount)

No.	Part No.	Desc.
1	D-44N41	3/8" Male NPT 90° Elbow, Polysulfone
	D-44N42	1/2" Male NPT 90° Elbow, Polysulfone
	D-44N21	3/4" Male NPT 90° Elbow, Polysulfone
2	91001-261	3/8" and 1/2" Half Union, Nylon
	D-44N06	3/4" Half Union, Nylon
3	D-4427A	3/8" and 1/2" Panel mount lock nut
	D-4428	3/4" Panel mount lock nut
4	90003-152	3/8" and 1/2" O-ring seal, Viton
	90003-153	3/8" and 1/2" O-ring seal, EP
	90003-082	3/4" O-ring seal, Viton
	90003-039	3/4" O-ring seal, EP
5	N/A	Meterbody and Float not sold separately
6	90007-632	3/8" and 1/2" Guide Rod, 316 Stainless Steel
	90007-633	3/4" Guide Rod, 316 Stainless Steel
7	D-45N007	3/8" and 1/2" Guide Rod holder, Polysulfone
	D-45N019	3/4" Guide Rod holder, Polysulfone
11	D-45N043	Indicator, Red



6B02 - Adjustable (Panel Mount)

No.	Part No.	Desc.
1	D-44N41	3/8" Male NPT 90° Elbow, Polysulfone
	D-44N20	1/2" Male NPT 90° Elbow, Polysulfone
	D-44N21	3/4" Male NPT 90° Elbow, Polysulfone
2	D-44N05	3/8" and 1/2" Half Union, Nylon
	D-44N06	3/4" Half Union, Nylon
3	D-4427A	3/8" and 1/2" Panel mount lock nut
	D-4428A	3/4" Panel mount lock nut
4	90003-152	3/8" and 1/2" O-ring seal, Viton
	90003-153	3/8" and 1/2" O-ring seal, EP
	90003-082	3/4" O-ring seal, Viton
	90003-039	3/4" O-ring seal, EP
5	N/A	Meter body and Float not sold separately
6	D-45N005	3/8" and 1/2" Guide Rod, 316 Stainless Steel
	D-45N012	3/4" Guide Rod, 316 Stainless Steel
	D-45N005H	3/8" and 1/2" Guide Rod and Hastelloy C-276
	D-45N021H	3/4" Guide Rod, Hastelloy C-276
7	D-45N019	3/8", 1/2", 3/4" Guide Rod Holder, Polysulfone
	D-45N031-1	3/8" M/NPT Valve Assm. large, Poly, Viton Seals
8	D-45N031-2	1/2" M/NPT Valve Assm. large, Poly, Viton Seals
	D-45N031-3	3/4" M/NPT Valve Assm. large, Poly, Viton Seals
	90003-010	O-ring, Viton
9	90003-011	O-ring, EP
	90003-018	O-ring, Viton
10	90003-071	O-ring, EP
	D-45N043	Indicator, Red



DAKOTA INSTRUMENTS LIMITED WARRANTY

Flow meters are warranted to be free of defects in material and workmanship for up to 12 months from the date of factory shipment. Warranty coverage is limited to repair or replacement of the defective flow meter only. Dakota® Instruments does not assume responsibility for any other damage that may occur.

This warranty does not cover damage to the flow meter that results from misuse or alterations, nor damage that occurs as a result of: meter misalignment, improper installation, over tightening, use of non-recommended chemicals, use of non-recommended adhesives or pipe dopes, excessive heat or pressure, or allowing the meter to support the weight of related piping. Flow meters are tested and calibrated with water only. Although meters may be suitable for other chemicals, Dakota® cannot guarantee their suitability.

Flow meters are repaired at the factory only. Call or write the factory to receive a Return Authorization Number, carefully pack the flow meter to be returned, including a brief description of the problem. Note the RA number on the outside of the carton.



20 Corporate Drive
Orangeburg NY 10962 USA
Website: <http://dakotainstruments.com>
E-mail: info@dakotainstruments.com
Toll Free USA and Canada: 1(800) 879-7713
Tel. 1+(845) 770-3200 Fax. 1+(845) 770-3210
