

Please see the following pages for more information on Variable Area Flow Meters

ROTAMETERS

- Rib-guided or fluted metering tubes facilitate stable, accurate readings.
- Magnifier lens in front shield enhances reading resolution.
- Easy-to-install flow tubes.
- “Non-rotating” adapter feature glass flow tubes are prevented from turning during the tightening phase of the assembly procedure.

Single Tube Glass Flow Meters

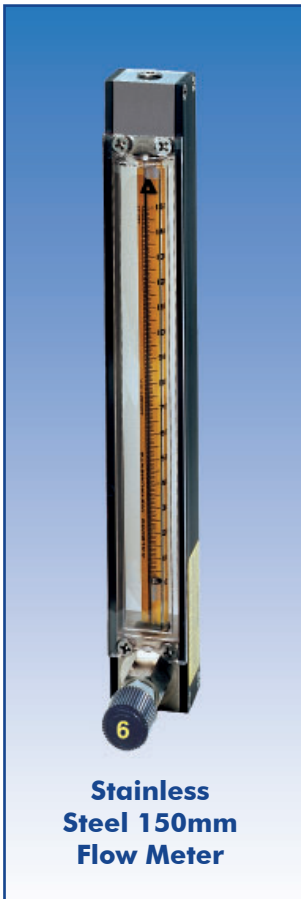
Designed for low flow rates, these single tube flow meters are precision instruments embodying the inherent simplicity, versatility and economy of the classical variable area meter. They are particularly suitable for metering carrier gases in chromatography, in manufacturing processes, liquid and gas measurements in laboratories, pilot plants, flow and level indicating and controlling gases.

Shipped completely assembled, flow meters include standard mounting fittings in a choice of materials, side plates, thick protective front shield and back plate, with or without control valves.

Single Tube PTFE Glass Flow Meters

The PTFE glass flow meter is designed for use with corrosive gases and liquids and for applications where contamination free flow passages are required. Fluids contact only PTFE, PCTFE and borosilicate glass.

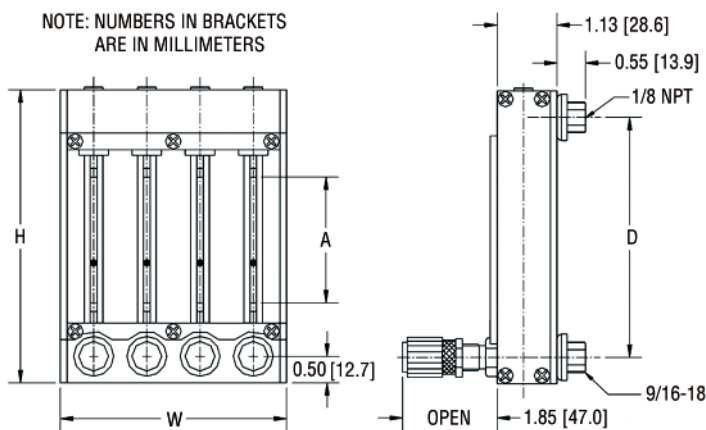
The unique design combines the rigidity of an aluminum structural frame with the desirable chemical inertness of PTFE components. Uses standard 65mm and 150mm flow tubes. Meters are equipped with built-in PTFE needle valves with Kel-F® valve spindles. Valves may be positioned either at inlet or outlet side of flow meter.



Stainless Steel 150mm Flow Meter



65mm - 150mm PTFE Flow Meter



SPECIFICATIONS FOR SINGLE TUBE FLOW METERS

- USEFUL FLOW RANGE:** 10:1 minimum with one float and better than 20:1 with combination of two floats installed in meters.
- STANDARD ACCURACY:** ±2% of full scale (mm), 5% of full scale (direct reading).
- CALIBRATED ACCURACY:** ±1% of full scale.
- REPEATABILITY:** ±0.25%.
- MAX. OPERATION PRESSURE:** 200 psig/13.8 bars (PTFE 60 psig/4.13 bars).
- MAX. OPERATION TEMPERATURE:** 250 °F/121 °C (PTFE 150 °F/66 °C).
- FLOW TUBES:** Heavy walled borosilicate glass.
- FLOATS:** Glass, Sapphire, 316 Stainless Steel, Carboloy® and Tantalum.
- CHOICE OF MOUNTING FITTINGS IN CONTACT WITH FLUIDS:**
- Aluminum, black anodized.
 - Brass, chrome plated.
 - 316 Stainless Steel.
- SIDE PANELS:** Aluminum, black anodized.
- FRONT SHIELD:** Lexan® with longitudinal magnifier lens for enhanced reading resolution.
- BACK PLATE:** 1/8" thick white acrylics.
- O-RINGS AND PACKING:** Buna-N® O-rings in aluminum/ brass model. FKM O-rings in stainless steel meters. **OPTIONAL:** FKM PTFE Kalrez® and EPR.
- CONNECTIONS:** 1/8" NPT female inlet and outlet connections. **OPTIONAL:** 1/4" FNPT, hose and compression fittings are available.



The selection of materials of construction, is the responsibility of the customer. The company accepts no liability.

DIMENSIONS FOR P STYLE METERS								
SCALE LENGTH (A)	ALL P METERS		WIDTH (W)					
	HEIGHT (H)	CENTER TO CENTER (D)	1 TUBE	2 TUBE	3 TUBE	4 TUBE	5 TUBE	6 TUBE
65mm	5.500	4.500	1.250	2.250	3.250	4.250	5.250	6.250
150mm	9.813	8.813	1.250	2.250	3.250	4.250	5.250	6.250

ROTAMETERS

- Interchangeability of flow tubes and floats. Assorted flow tubes may be used in conjunction with a single mounting frame.
- Simple panel mounting - convertible to bench mounting through use of an optional acrylic tripod base with built-in spirit leveler and leveling screws.

OPTIGRAD™ scales minimize parallax and eye fatigue.

For Accessories See Below

Calibrations for other fluids available.

Tripod Base available!

Multi-tube Flow Meters also Available!

TABLE 17, STANDARD 65MM FLOW METERS WITHOUT VALVES							
MAXIMUM FLOW RATE				FLOAT MATERIAL	FRAME MATERIAL		
AIR		WATER			ALUMINUM	BRASS	STAINLESS STEEL
mL/min	scfh	mL/min	gph		MODEL NO.	MODEL NO.	MODEL NO.
5.8	0.013	0.07	0.001	Glass	6AP0101N6	6AP1101N6	6AP2101N6
9	0.017	0.08	0.001	Sapphire	6AP0102N6	6AP1102N6	6AP2102N6
19	0.036	0.28	0.004	316 S.S.	6AP0103N6	6AP1103N6	6AP2103N6
33	0.070	0.62	0.009	Carboloy®	6AP0104N6	6AP1104N6	6AP2104N6
49	0.104	0.55	0.009	Glass	6AP0105N6	6AP1105N6	6AP2105N6
74	0.153	0.98	0.016	Sapphire	6AP0106N6	6AP1106N6	6AP2106N6
145	0.307	2.38	0.038	316 S.S.	6AP0107N6	6AP1107N6	6AP2107N6
246	0.528	4.60	0.073	Carboloy®	6AP0108N6	6AP1108N6	6AP2108N6
104	0.22	1.24	0.019	Glass	6AP0109N6	6AP1109N6	6AP2109N6
160	0.33	2.47	0.039	Sapphire	6AP0110N6	6AP1110N6	6AP2110N6
296	0.62	5.75	0.091	316 S.S.	6AP0111N6	6AP1111N6	6AP2111N6
484	1.02	10.58	0.160	Carboloy®	6AP0112N6	6AP1112N6	6AP2112N6
204	0.43	2.8	0.045	Glass	6AP0113N6	6AP1113N6	6AP2113N6
303	0.64	5.3	0.079	Sapphire	6AP0114N6	6AP1114N6	6AP2114N6
518	1.09	11.2	0.170	316 S.S.	6AP0115N6	6AP1115N6	6AP2115N6
809	1.71	19.5	0.302	Carboloy®	6AP0116N6	6AP1116N6	6AP2116N6
1056	2.23	20.8	0.329	Glass	6AP0117N6	6AP1117N6	6AP2117N6
1399	2.96	33.3	0.527	Sapphire	6AP0118N6	6AP1118N6	6AP2118N6
2125	4.50	58.7	0.930	316 S.S.	6AP0119N6	6AP1119N6	6AP2119N6
3059	6.48	90.0	1.426	Carboloy®	6AP0120N6	6AP1120N6	6AP2120N6
1249	2.65	25	0.396	Glass	6AP0121N6	6AP1121N6	6AP2121N6
1623	3.44	36.7	0.581	Sapphire	6AP0122N6	6AP1122N6	6AP2122N6
2520	5.34	70.7	1.121	316 S.S.	6AP0123N6	6AP1123N6	6AP2123N6
3680	7.80	103.5	1.641	Carboloy®	6AP0124N6	6AP1124N6	6AP2124N6
2006	4.25	39.5	0.61	Glass	6AP0125N6	6AP1125N6	6AP2125N6
2680	5.67	63.2	0.99	Sapphire	6AP0126N6	6AP1126N6	6AP2126N6
4060	8.6	111.7	1.75	316 S.S.	6AP0127N6	6AP1127N6	6AP2127N6
5798	12.28	172	2.72	Carboloy®	6AP0128N6	6AP1128N6	6AP2128N6
2522	5.35	54.7	0.86	Glass	6AP0129N6	6AP1129N6	6AP2129N6
4917	10.42	143	2.26	316 S.S.	6AP0130N6	6AP1130N6	6AP2130N6
6318	13.4	147	2.33	Glass	6AP0131N6	6AP1131N6	6AP2131N6
8145	17.3	217	3.44	Sapphire	6AP0132N6	6AP1132N6	6AP2132N6
12058	25.5	364	5.77	316 S.S.	6AP0133N6	6AP1133N6	6AP2133N6
16943	35.9	540	8.56	Carboloy®	6AP0134N6	6AP1134N6	6AP2134N6
12860	27.2	307	4.86	Glass	6AP0135N6	6AP1135N6	6AP2135N6
16617	35.2	449	7.11	Sapphire	6AP0136N6	6AP1136N6	6AP2136N6
24452	51.8	723	11.46	316 S.S.	6AP0137N6	6AP1137N6	6AP2137N6
34507	73.1	1049	16.63	Carboloy®	6AP0138N6	6AP1138N6	6AP2138N6
21969	46.5	550	8.71	Glass	6AP0139N6	6AP1139N6	6AP2139N6
28518	60.4	811	12.85	Sapphire	6AP0140N6	6AP1140N6	6AP2140N6
41289	87.4	1297	20.56	316 S.S.	6AP0141N6	6AP1141N6	6AP2141N6
58348	123.6	1895	30.04	Carboloy®	6AP0142N6	6AP1142N6	6AP2142N6



Aluminum 65mm Flow Meter without valve

For Materials of Construction see page 16

ACCESSORIES FOR 65MM AND 150MM FLOW METERS

Tripod Base with built-in spirit leveler and leveling screws (fits all standard and PTFE flow meters.) 600999