

# MEDIUM RANGE PTFE FLOW METERS

Incorporating traditional variable area precision glass technology, these rugged PTFE flow meters offer accurate and economical solutions to medium flow range measurements. These meters are designed with unique rotatable scales of dual air-water direct reading graduations showing SCFM and L/min (air), as well as GPM and LPM (water) markings.

## LEAK INTEGRITY

**Flow meters are individually tested on a Mass Spectrometer Leak Detector and certified to a leak integrity rating of  $1 \times 10^{-7}$  sccs Helium or better.**

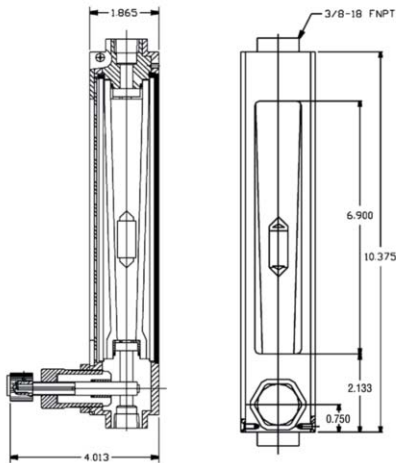
### \*SPECIFICATIONS FOR PTFE FLOW METERS

<b>TUBE SHIELDS</b>	Polycarbonate.
<b>FLOW TUBES</b>	Heavy walled precision formed borosilicate glass.
<b>FLOATS</b>	PTFE.
<b>WETTED PARTS</b>	PTFE, PCTFE.
<b>SEALS</b>	PTFE.
<b>SCALES</b>	Rotatable, direct reading air, (SCFM-L/min) and water (GPM-LPM). Scale length is 27mm (nominal).
<b>ACCURACY</b>	$\pm 5\%$ of full scale.
<b>MAXIMUM TEMPERATURE</b>	150 °F (65 °C.)
<b>MAXIMUM PRESSURE</b>	100 psig (6.7) bars.
<b>CONNECTIONS</b>	3/8" NPT female In-Line or horizontal rear.
<b>LEAK INTEGRITY</b>	Individually leak tested and certified.

\* The selection of materials of construction, is the responsibility of the customer. The company accepts no liability.



**Dimensions In-Line Model**



**Dimensions Panel Mount Model**

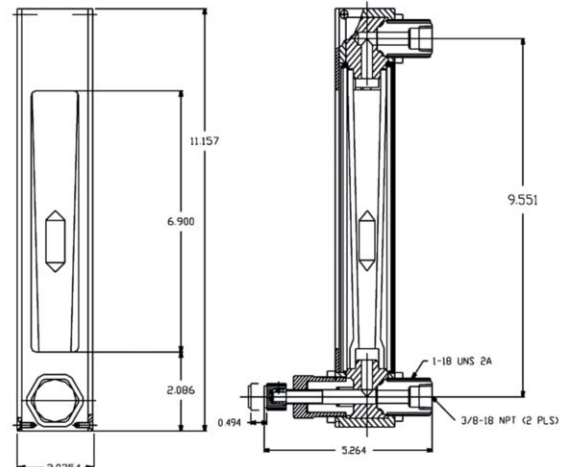


TABLE 29, MEDIUM RANGE PTFE FLOW METERS

MAXIMUM FLOW RANGES				IN-LINE MOUNT				PANEL MOUNT			
AIR		WATER		NO VALVE		VALVE		NO VALVE		VALVE	
SCFM	SLPM	GPM	LPM	MODEL NO.	PRICE	MODEL NO.	PRICE	MODEL NO.	PRICE	MODEL NO.	PRICE
3.5	100	0.8	3.0	6AV9101TNI	\$525.00	6AV9101TVI	\$613.00	6AV9101TNP	\$570.00	6AV9101TVP	\$658.00
7.0	200	1.5	5.75	6AV9102TNI		6AV9102TVI		6AV9102TNP		6AV9102TVP	
10.5	300	2.2	8.25	6AV9103TNI		6AV9103TVI		6AV9103TNP		6AV9103TVP	
14.0	400	2.9	11.0	6AV9104TNI		6AV9104TVI		6AV9104TNP		6AV9104TVP	
17.5	500	3.5	13.25	6AV9105TNI		6AV9105TVI		6AV9105TNP		6AV9105TVP	
22.0	625	4.1	16.0	6AV9106TNI		6AV9106TVI		6AV9106TNP		6AV9106TVP	