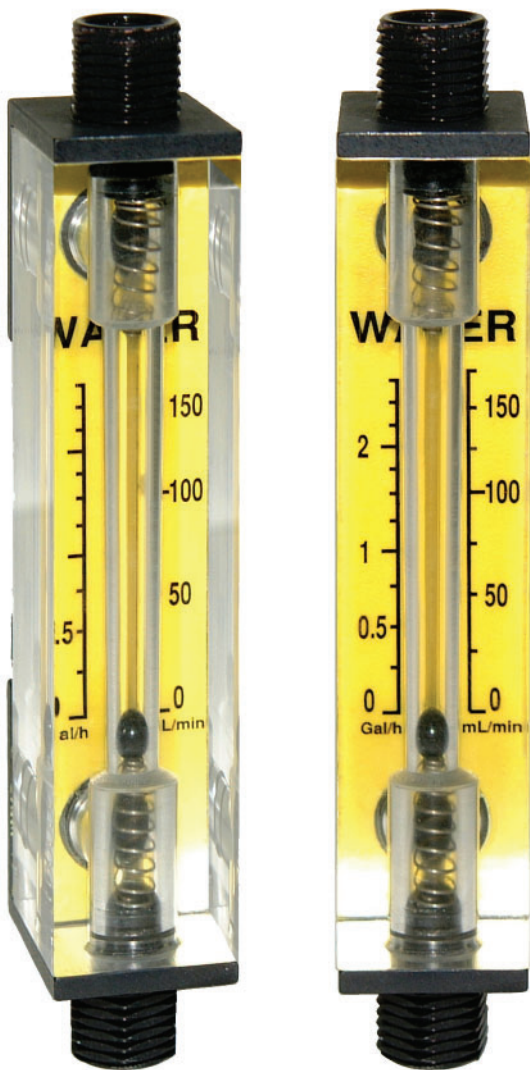


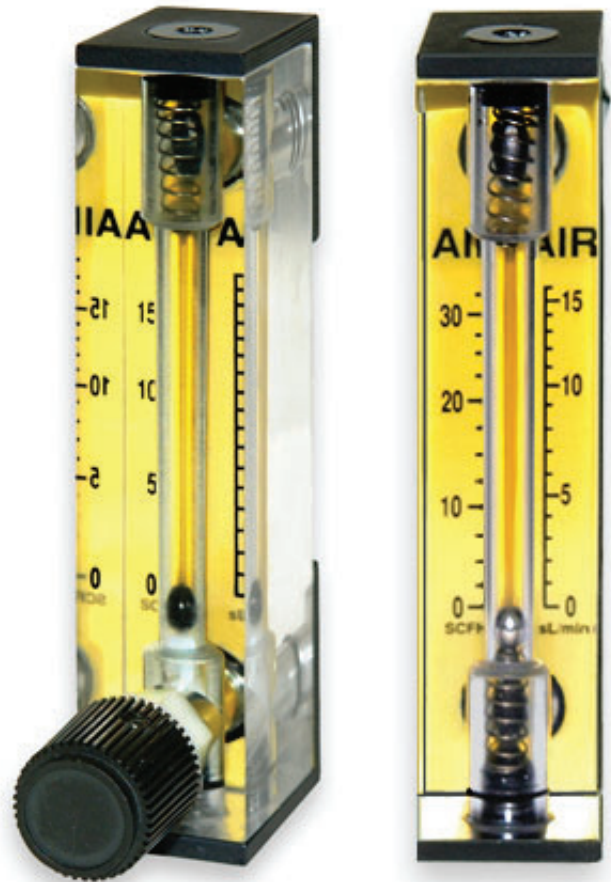
ACRYLIC FLOW METERS

6A01 FEATURES

- ✓ Easy to read English or metric scales.
- ✓ Interchangeable scales, for routine gases.
- ✓ Customer convertible panel to partial or full in-line mounted configurations.
- ✓ Panel mounting by means of hex nuts.
- ✓ Meters are offered with or without built-in low hysteresis needle valves.
- ✓ Easy disassembly and assembly for cleaning.



Superior Quality . . .



**Panel Mounting Meter with
Built In Needle Valve**

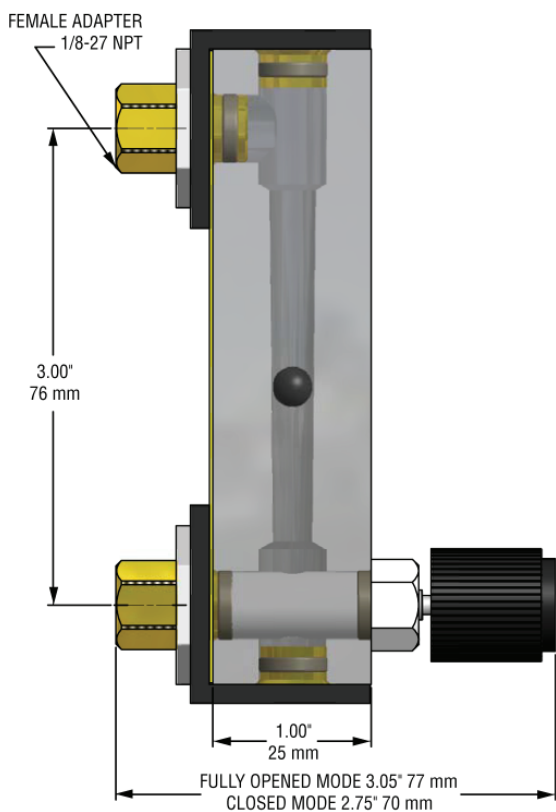
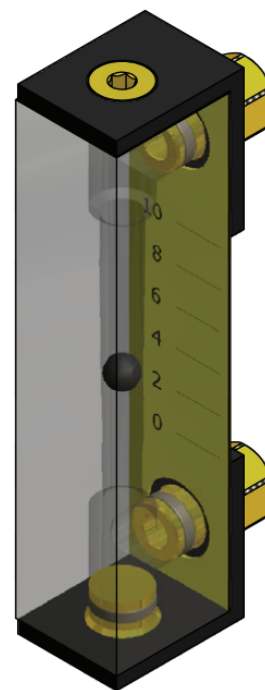
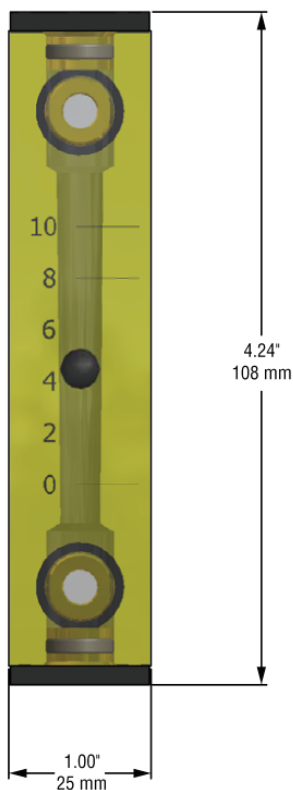
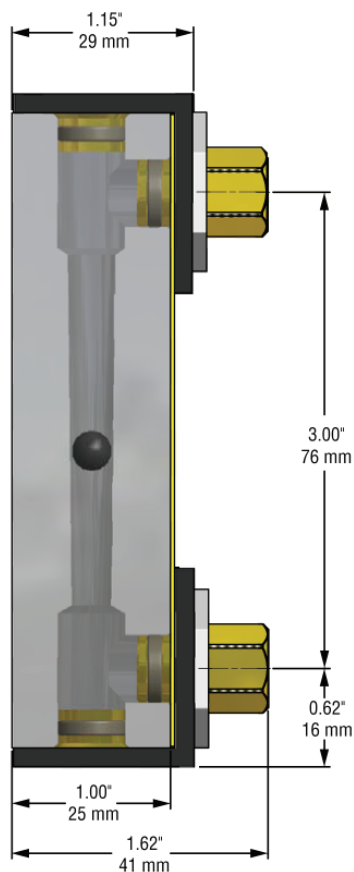
. . . Stable, Easy to Read Float

OPTIONAL PRODUCTS

FLOW METER KITS ARE AVAILABLE WITH DIRECT READING SCALES DISPLAYING:

AIR, WATER, ARGON, NITROGEN, HELIUM, CARBON DIOXIDE, AND OXYGEN IN BOTH ENGLISH AND METRIC UNITS.

ACRYLIC FLOW METERS



SPECIFICATIONS 6A01

ACCURACY:	± 5% of full scale reading.
MAXIMUM TEMPERATURE:	65 °C (150 °F).
MAXIMUM PRESSURE:	6.9 bars (100 PSIG).
METER BLOCK:	Clear machined acrylic.
FLOAT MATERIALS:	Black Glass, Stainless Steel, Tungsten Carbide.
O-RING SEALS:	FKM.
FITTINGS:	Brass or Stainless 1/8" NPT female connections, built-in needle valves and seal plugs.



The selection of materials of construction, is the responsibility of the customer. The company accepts no liability.

ACRYLIC FLOW METERS

MODEL 6A01 AIR FLOW METERS WITH DIRECT READING SCALES					
MODEL NO.	FITTING MATERIAL	VALVE OPTION	DUAL SCALE		FLOAT MATERIAL
			sL/min	SCFH	
6A0101BN-AB	BRASS	NO	1.4	2.8	GLASS
6A0101BV-AB		YES			
6A0101SN-AB	STAINLESS	NO			
6A0101SV-AB		YES			
6A0103BN-AB	BRASS	NO	2.5	5.5	STAINLESS
6A0103BV-AB		YES			
6A0103SN-AB	STAINLESS	NO			
6A0103SV-AB		YES			
6A0105BN-AB	BRASS	NO	3.5	7.0	CARBOLOY®
6A0105BV-AB		YES			
6A0105SN-AB	STAINLESS	NO			
6A0105SV-AB		YES			
6A0107BN-AB	BRASS	NO	8.5	18.0	GLASS
6A0107BV-AB		YES			
6A0107SN-AB	STAINLESS	NO			
6A0107SV-AB		YES			
6A0109BN-AB	BRASS	NO	16.0	32.5	STAINLESS
6A0109BV-AB		YES			
6A0109SN-AB	STAINLESS	NO			
6A0109SV-AB		YES			
6A0111BN-AB	BRASS	NO	22.0	45.0	CARBOLOY®
6A0111BV-AB		YES			
6A0111SN-AB	STAINLESS	NO			
6A0111SV-AB		YES			
6A0113BN-AB	BRASS	NO	50.0	100.0	STAINLESS
6A0113BV-AB		YES			
6A0113SN-AB	STAINLESS	NO			
6A0113SV-AB		YES			

MODEL 6A01 OXYGEN FLOW METERS WITH DIRECT READING SCALES					
MODEL NO.	FITTING MATERIAL	VALVE OPTION	DUAL SCALE		FLOAT MATERIAL
			sL/min	SCFH	
6A0101BN-OB	BRASS	NO	1.1	2.5	GLASS
6A0101BV-OB		YES			
6A0101SN-OB	STAINLESS	NO			
6A0101SV-OB		YES			
6A0103BN-OB	BRASS	NO	2.5	5.0	STAINLESS
6A0103BV-OB		YES			
6A0103SN-OB	STAINLESS	NO			
6A0103SV-OB		YES			
6A0105BN-OB	BRASS	NO	3.5	7.0	CARBOLOY®
6A0105BV-OB		YES			
6A0105SN-OB	STAINLESS	NO			
6A0105SV-OB		YES			
6A0107BN-OB	BRASS	NO	8.0	16.0	GLASS
6A0107BV-OB		YES			
6A0107SN-OB	STAINLESS	NO			
6A0107SV-OB		YES			
6A0109BN-OB	BRASS	NO	15.0	30.0	STAINLESS
6A0109BV-OB		YES			
6A0109SN-OB	STAINLESS	NO			
6A0109SV-OB		YES			
6A0111BN-OB	BRASS	NO	20.0	42.5	CARBOLOY®
6A0111BV-OB		YES			
6A0111SN-OB	STAINLESS	NO			
6A0111SV-OB		YES			
6A0113BN-OB	BRASS	NO	45.0	90.0	STAINLESS
6A0113BV-OB		YES			
6A0113SN-OB	STAINLESS	NO			
6A0113SV-OB		YES			

MODEL 6A01 NITROGEN FLOW METERS WITH DIRECT READING SCALES					
MODEL NO.	FITTING MATERIAL	VALVE OPTION	DUAL SCALE		FLOAT MATERIAL
			sL/min	SCFH	
6A0101BN-NC	BRASS	NO	1.3	2.75	GLASS
6A0101BV-NC		YES			
6A0101SN-NC	STAINLESS	NO			
6A0101SV-NC		YES			
6A0103BN-NC	BRASS	NO	2.5	5.5	STAINLESS
6A0103BV-NC		YES			
6A0103SN-NC	STAINLESS	NO			
6A0103SV-NC		YES			
6A0105BN-NC	BRASS	NO	3.5	7.5	CARBOLOY®
6A0105BV-NC		YES			
6A0105SN-NC	STAINLESS	NO			
6A0105SV-NC		YES			
6A0107BN-NC	BRASS	NO	8.0	16.0	GLASS
6A0107BV-NC		YES			
6A0107SN-NC	STAINLESS	NO			
6A0107SV-NC		YES			
6A0109BN-NC	BRASS	NO	16.0	32.5	STAINLESS
6A0109BV-NC		YES			
6A0109SN-NC	STAINLESS	NO			
6A0109SV-NC		YES			
6A0111BN-NC	BRASS	NO	22.0	45.0	CARBOLOY®
6A0111BV-NC		YES			
6A0111SN-NC	STAINLESS	NO			
6A0111SV-NC		YES			
6A0113BN-NC	BRASS	NO	45.0	100.0	STAINLESS
6A0113BV-NC		YES			
6A0113SN-NC	STAINLESS	NO			
6A0113SV-NC		YES			

MODEL 6A01 CARBON DIOXIDE FLOW METERS WITH DIRECT READING SCALES					
MODEL NO.	FITTING MATERIAL	VALVE OPTION	DUAL SCALE		FLOAT MATERIAL
			sL/min	SCFH	
6A0101BN-CA	BRASS	NO	1.1	2.5	GLASS
6A0101BV-CA		YES			
6A0101SN-CA	STAINLESS	NO			
6A0101SV-CA		YES			
6A0103BN-CA	BRASS	NO	2.0	5.0	STAINLESS
6A0103BV-CA		YES			
6A0103SN-CA	STAINLESS	NO			
6A0103SV-CA		YES			
6A0105BN-CA	BRASS	NO	3.0	6.5	CARBOLOY®
6A0105BV-CA		YES			
6A0105SN-CA	STAINLESS	NO			
6A0105SV-CA		YES			
6A0107BN-CA	BRASS	NO	7.0	15.0	GLASS
6A0107BV-CA		YES			
6A0107SN-CA	STAINLESS	NO			
6A0107SV-CA		YES			
6A0109BN-CA	BRASS	NO	12.0	25.0	STAINLESS
6A0109BV-CA		YES			
6A0109SN-CA	STAINLESS	NO			
6A0109SV-CA		YES			
6A0111BN-CA	BRASS	NO	18.0	37.5	CARBOLOY®
6A0111BV-CA		YES			
6A0111SN-CA	STAINLESS	NO			
6A0111SV-CA		YES			
6A0113BN-CA	BRASS	NO	35.0	80.0	STAINLESS
6A0113BV-CA		YES			
6A0113SN-CA	STAINLESS	NO			
6A0113SV-CA		YES			

ACRYLIC FLOW METERS

MODEL 6A01 ARGON FLOW METERS WITH DIRECT READING SCALES					
MODEL NO.	FITTING MATERIAL	VALVE OPTION	DUAL SCALE		FLOAT MATERIAL
			sL/min	SCFH	
6A0101BN-AE	BRASS	NO	1.0	2.0	GLASS
6A0101BV-AE		YES			
6A0101SN-AE	STAINLESS	NO			
6A0101SV-AE		YES			
6A0103BN-AE	BRASS	NO	2.0	5.0	STAINLESS
6A0103BV-AE		YES			
6A0103SN-AE	STAINLESS	NO			
6A0103SV-AE		YES			
6A0105BN-AE	BRASS	NO	3.0	6.5	CARBOLOY®
6A0105BV-AE		YES			
6A0105SN-AE	STAINLESS	NO			
6A0105SV-AE		YES			
6A0107BN-AE	BRASS	NO	7.0	15.0	GLASS
6A0107BV-AE		YES			
6A0107SN-AE	STAINLESS	NO			
6A0107SV-AE		YES			
6A0109BN-AE	BRASS	NO	13.0	26.0	STAINLESS
6A0109BV-AE		YES			
6A0109SN-AE	STAINLESS	NO			
6A0109SV-AE		YES			
6A0111BN-AE	BRASS	NO	18.0	37.5	CARBOLOY®
6A0111BV-AE		YES			
6A0111SN-AE	STAINLESS	NO			
6A0111SV-AE		YES			
6A0113BN-AE	BRASS	NO	40.0	80.0	STAINLESS
6A0113BV-AE		YES			
6A0113SN-AE	STAINLESS	NO			
6A0113SV-AE		YES			

MODEL 6A01 WATER FLOW METERS WITH DIRECT READING SCALES					
MODEL NO.	FITTING MATERIAL	VALVE OPTION	DUAL SCALE		FLOAT MATERIAL
			sL/min	SCFH	
6A0101BN-WA	BRASS	NO	20.0	0.3	GLASS
6A0101BV-WA		YES			
6A0101SN-WA	STAINLESS	NO			
6A0101SV-WA		YES			
6A0103BN-WA	BRASS	NO	70.0	1.1	STAINLESS
6A0103BV-WA		YES			
6A0103SN-WA	STAINLESS	NO			
6A0103SV-WA		YES			
6A0105BN-WA	BRASS	NO	100.0	1.5	CARBOLOY®
6A0105BV-WA		YES			
6A0105SN-WA	STAINLESS	NO			
6A0105SV-WA		YES			
6A0107BN-WA	BRASS	NO	175.0	2.75	GLASS
6A0107BV-WA		YES			
6A0107SN-WA	STAINLESS	NO			
6A0107SV-WA		YES			
6A0109BN-WA	BRASS	NO	450.0	6.5	STAINLESS
6A0109BV-WA		YES			
6A0109SN-WA	STAINLESS	NO			
6A0109SV-WA		YES			
6A0111BN-WA	BRASS	NO	700.0	11.0	CARBOLOY®
6A0111BV-WA		YES			
6A0111SN-WA	STAINLESS	NO			
6A0111SV-WA		YES			
6A0113BN-WA	BRASS	NO	1400	22.0	STAINLESS
6A0113BV-WA		YES			
6A0113SN-WA	STAINLESS	NO			
6A0113SV-WA		YES			

MODEL 6A01 HELIUM FLOW METERS WITH DIRECT READING SCALES					
MODEL NO.	FITTING MATERIAL	VALVE OPTION	DUAL SCALE		FLOAT MATERIAL
			sL/min	SCFH	
6A0101BN-HA	BRASS	NO	2.0	4.0	GLASS
6A0101BV-HA		YES			
6A0101SN-HA	STAINLESS	NO			
6A0101SV-HA		YES			
6A0103BN-HA	BRASS	NO	5.0	10.0	STAINLESS
6A0103BV-HA		YES			
6A0103SN-HA	STAINLESS	NO			
6A0103SV-HA		YES			
6A0105BN-HA	BRASS	NO	8.0	17.0	CARBOLOY®
6A0105BV-HA		YES			
6A0105SN-HA	STAINLESS	NO			
6A0105SV-HA		YES			
6A0107BN-HA	BRASS	NO	18.0	40.0	GLASS
6A0107BV-HA		YES			
6A0107SN-HA	STAINLESS	NO			
6A0107SV-HA		YES			
6A0109BN-HA	BRASS	NO	35.0	70.0	STAINLESS
6A0109BV-HA		YES			
6A0109SN-HA	STAINLESS	NO			
6A0109SV-HA		YES			
6A0111BN-HA	BRASS	NO	55.0	110.0	CARBOLOY®
6A0111BV-HA		YES			
6A0111SN-HA	STAINLESS	NO			
6A0111SV-HA		YES			
6A0113BN-HA	BRASS	NO	110.0	250	STAINLESS
6A0113BV-HA		YES			
6A0113SN-HA	STAINLESS	NO			
6A0113SV-HA		YES			