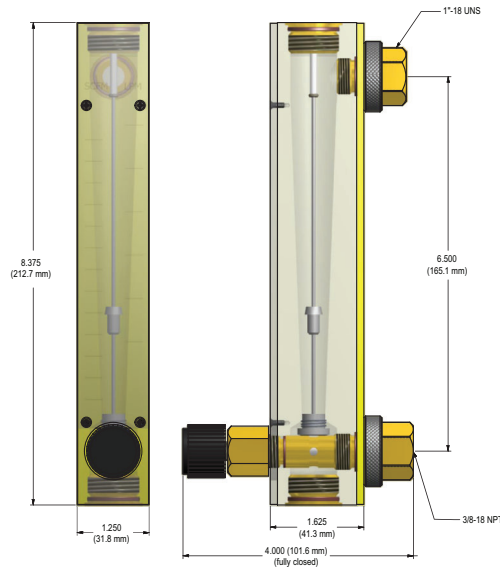
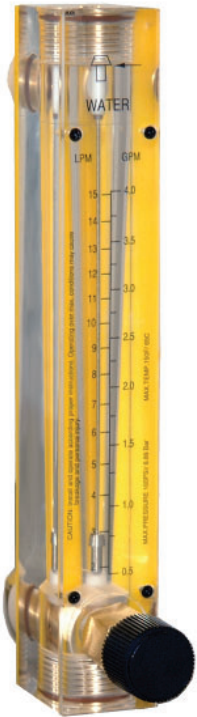


6A02 Series Acrylic Flow Meters

6A02 Valve Option



These unique meters are being offered with any one of interchangeable direct reading scales for Air, Nitrogen, Oxygen, Carbon Dioxide, Argon, Helium and Water. Scales are mounted at the front of the flow body and are positioned and secured by a clear front plate held in place by four screws.

Dual scales display flow rates in both metric and English units. Optional scales can be developed for diverse flow conditions, facilitating OEM applications. The yellow colored backing enhances readability of scales and helps to minimize eye fatigue.

6A02 Series Flow Meters are configured for "panel mount" 3/8" female NPT connections. Models available with optional low hysteresis, multi-turn needle valve is included.

6A02 SPECIFICATIONS

ACCURACY:	±5% of full scale reading.
CONNECTIONS:	3/8" Female NPT.
MAXIMUM TEMPERATURE:	150 °F/ 65 °C Maximum.
MAXIMUM PRESSURE:	100 psi/6.89 Bar Maximum.
FLOAT AND GUIDE:	316 stainless steel.
INLET/OUTLET CONNECTIONS:	Brass.
PANEL MOUNTING:	Polypropylene® Nuts.
O-RINGS:	FKM.
VALVE PARTS:	Brass.



The selection of materials of construction, is the responsibility of the customer. The company accepts no liability.

TABLE 11 FLOW CAPACITIES

MODEL NO.	FLOW MEDIUM	MAXIMUM FLOW	FLOW MEDIUM	
6A0209BN-AB	AIR	270 L/min	9.5 SCFM	NO
6A0209BV-AB		550 L/min	20 SCFM	YES
6A0211BN-AB				NO
6A0211BV-AB		YES		
6A0209BN-NC	NITROGEN	270 L/min	9.5 SCFM	NO
6A0209BV-NC		575 L/min	21 SCFM	YES
6A0211BN-NC				NO
6A0211BV-NC		YES		
6A0209BN-OB	OXYGEN	250 L/min	9 SCFM	NO
6A0209BV-OB		550 L/min	20 SCFM	YES
6A0211BN-OB				NO
6A0211BV-OB		YES		
6A0209BN-CA	CARBON DIOXIDE	210 L/min	7.5 SCFM	NO
6A0209BV-CA		475 L/min	17 SCFM	YES
6A0211BN-CA				NO
6A0211BV-CA		YES		
6A0209BN-AE	ARGON	220 L/min	8 SCFM	NO
6A0209BV-AE		525 L/min	19 SCFM	YES
6A0211BN-AE				NO
6A0211BV-AE		YES		
6A0209BN-HA	HELIUM	700 L/min	25 SCFM	NO
6A0209BV-HA		1500 L/min	55 SCFM	YES
6A0211BN-HA				NO
6A0211BV-HA		YES		
6A0209BN-WA	WATER	8.5 L/min	2.25 GPM	NO
6A0209BV-WA		15 L/min	4 GPM	YES
6A0211BN-WA				NO
6A0211BV-WA		YES		

6A02 No-Valve Option

